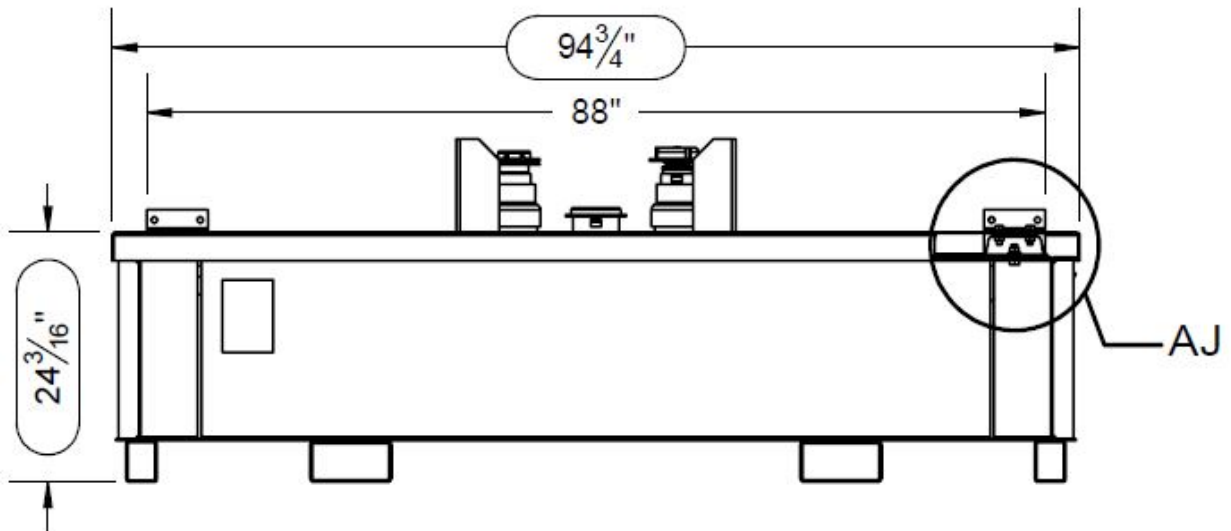




# RES950



Model		RES950
Fuel gauge		included
Quick connect hose		Optional
Integrated pump		Optional
Dimensions	L	95"
	I	58"
	H	33"
Structural double walls tank		Canada transport approved
Capacity (l.)		950
Approx. weight Vide/Plein (lbs)		1883 / 3783